

STANDARD FEATURES

Airflow Range

325-775CFM

Casing

Double walled, 1" insulation
Foam injected panels
22-gauge galvanized steel
Painted white

Controls

Configurable and BTL Certified for BACNet IP
Single point power

OPTIONS

Integrated Heating and Cooling

Hydronic or Dx Coils (using EEV Kit)

Bypass Damper

Modulating by-pass (free cooling)
Unit or duct mounted

Frost Control

Electric Preheat or HWC

Warranty

10-year add-on available

Filters

2" Pleated: OA MERV 13, MERV 8

Blowers & Motors

HE Variable Speed EC direct-drive motor
Backward Inclined

Warranty

Core – 5 years from shipping
Unit – 2 years from shipping

Mounting

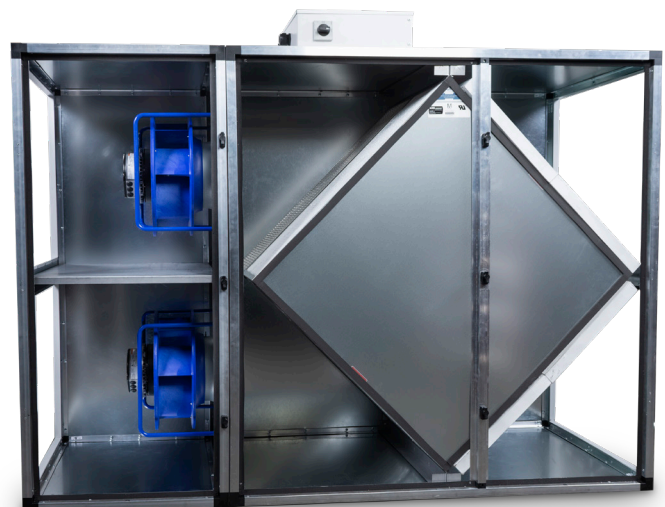
Ceiling, wall or floor mount

OA & EA Dampers

Final Filter

Alternate MERV Filters

Multiple connection options



Unit Electrical								
Size	Nom. V	Motor (kW)	SA Fan FLA	RA Fan FLA	Transformer FLA	MCA	MROPD	Recommended Fuse
A16	240	0.5	2.5	2.5	0.30	5.9	8.4	15A

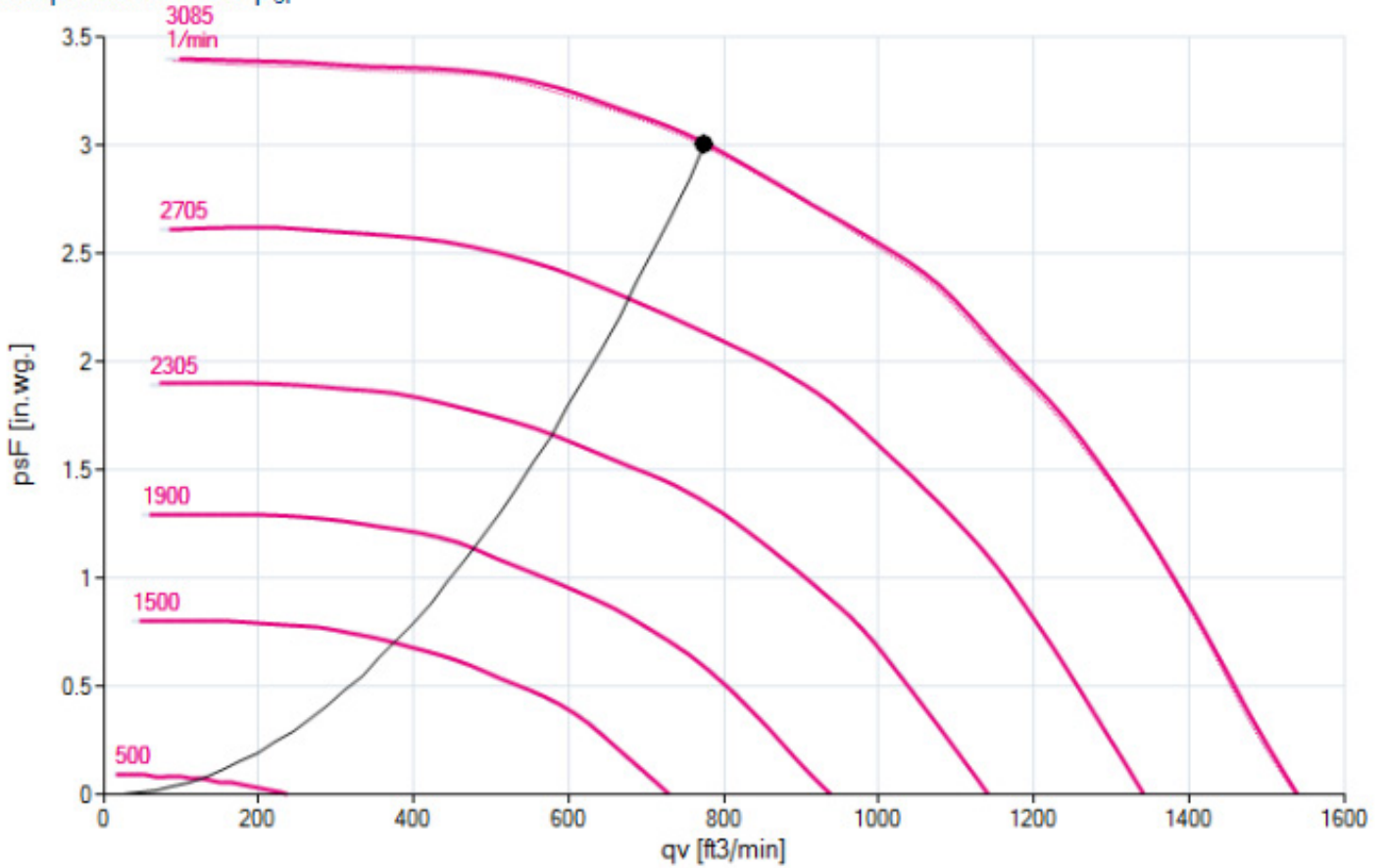
Fan Performance						
Model	CFM	ESP "Wg	230V/1/60 FLA (A)		KW	SP "Wg
A16	775	0.9	1.8	2.5	0.5	3

AHRI Core Performance					
Model	Airflow (cfm)	SRE	LRE	TRE	PD
A16	400	69%	54%	60%	0.36, 0.72
	775	61%	43%	50%	0.62, 1.26

Fan Curve

775CFM - 230/1

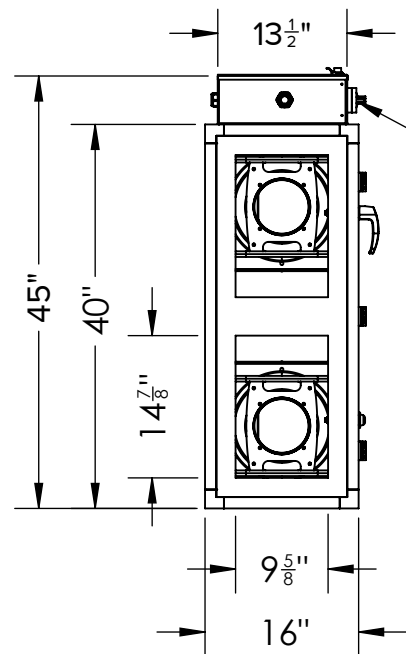
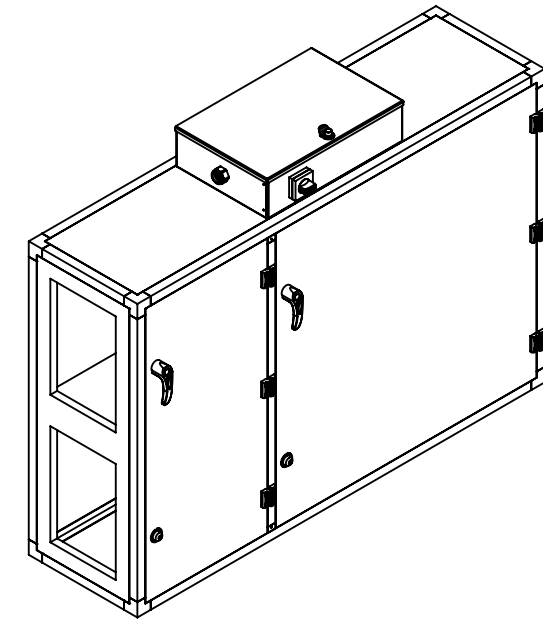
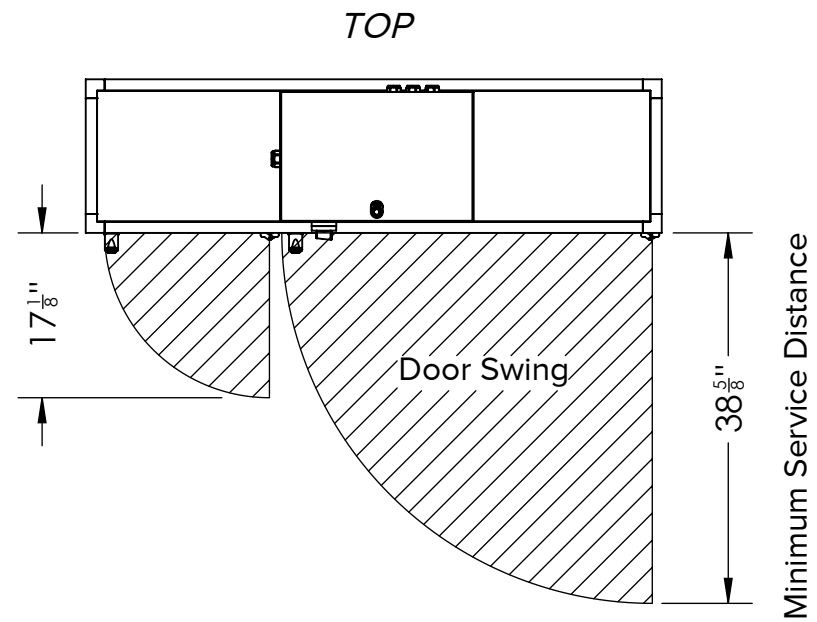
air performance p_{sF}



Nomenclature:
 SA - Supply Air
 RA - Return Air
 OA - Outdoor Air
 EX - Exhaust Air

Installation Options: Ceiling, Floor or Wall

Notes:
 36" of clearance must be maintained perpendicular to the electrical box as per the National Electric Code (NEC).
 Overall unit dimensions are subject to change without notice.



FAN SIDE

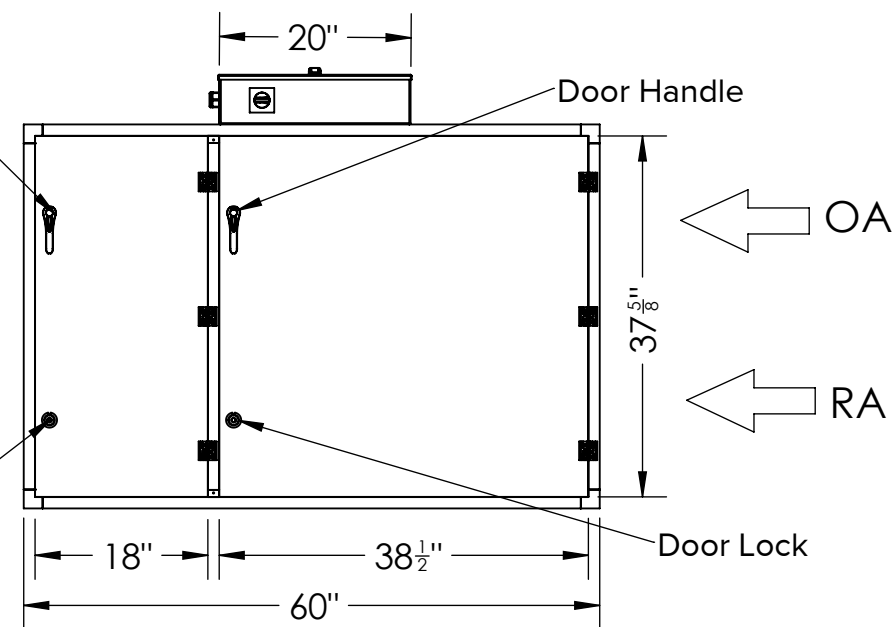
Electrical/ Controls Box

Door Handle

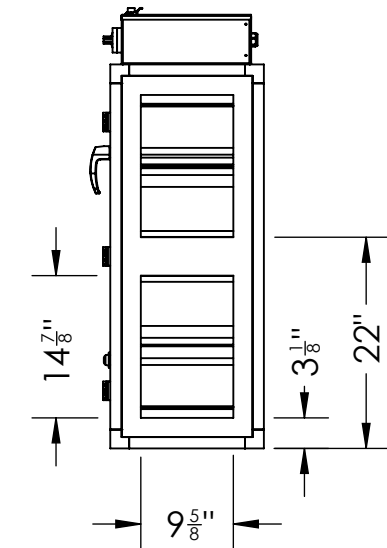
EX

SA

Door Lock



FRONT



FILTER SIDE

O X Y G E N 8	Drawn by:	KFM	Name:	A16
	Approved by:	MBD		
	Date:	2020-05-26	Drawing Number:	O28D-01-0001-00A
Scale:	Pieces: 1 of 1	Weight: 375 lbs		
1:20	Material:	Pre-Paint Exterior Galvanized Interior		