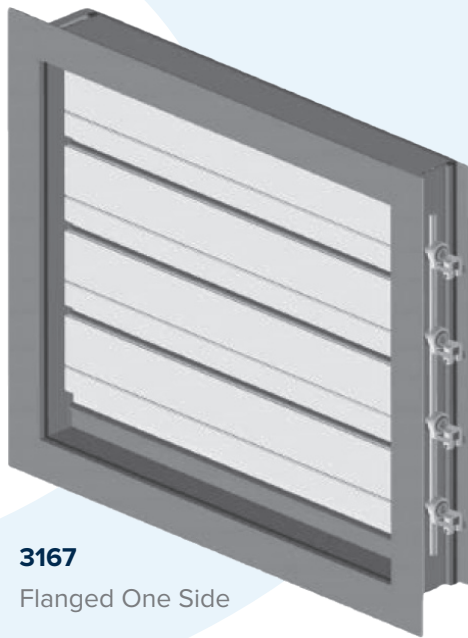


Airfoil Blade Control Dampers

Model: 3167



3167

Flanged One Side

STANDARD CONSTRUCTION

Depth	4" (101 mm) - 3167
Depth with Blades Open	6.125" (156 mm)
Minimum Height	8" (203 mm) - Single Blade 15" (381 mm) - Multiple Blade
Maximum Panel Width	48" (1219 mm)
Maximum Panel Height	60" (1524 mm)
Maximum Panel Size	20 sq. ft.
Maximum System Pressure	See chart on page 2.
Operating Temperature Range	-40° to +180°F
Standard Finish	Mill
Standard Motor Installation	6" Side Shaft Direct Drive
Linkage	Outside of Frame
Blade End Cap	Nylon

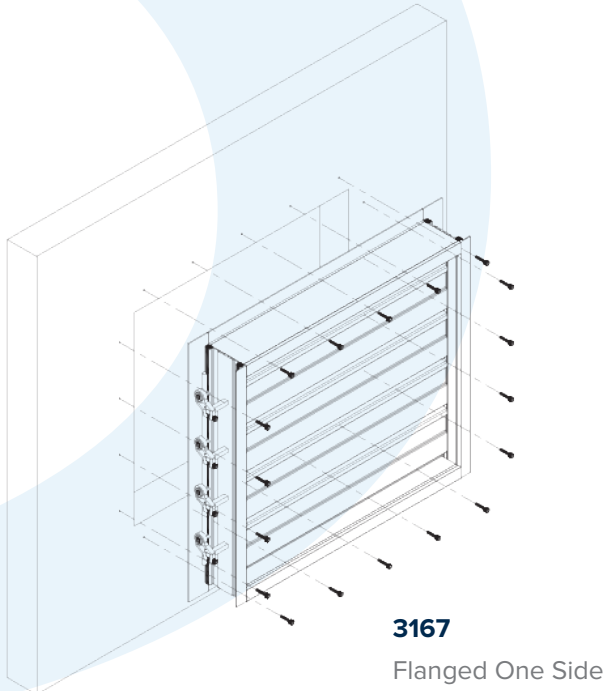
AVAILABLE ACCESSORIES

- Factory supplied actuators
- End switch for signaling peripheral devices
- Jack shaft
- Hand quadrants
- Chain operation for manual operation spring closed
- Silicone blade and jamb seals
- 4" blade construction

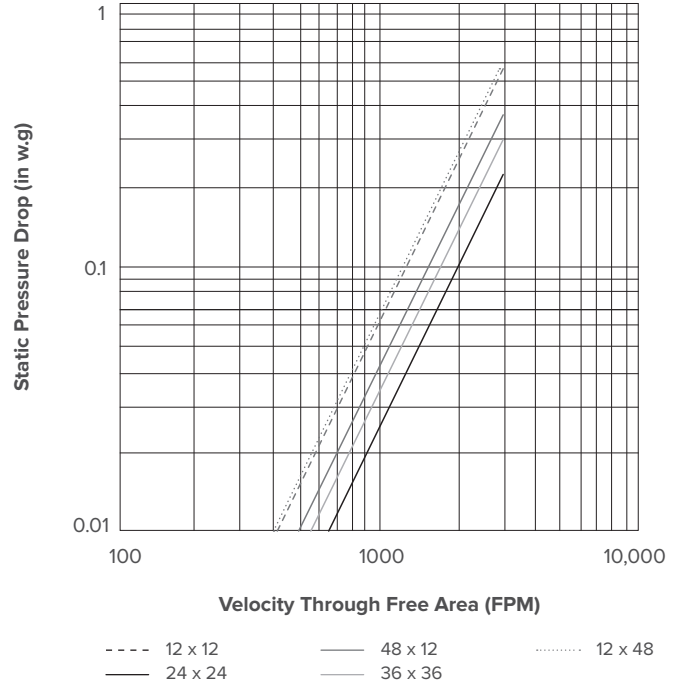


Airfoil Blade Control Dampers

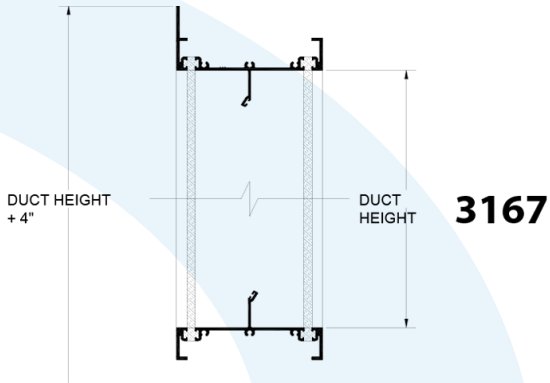
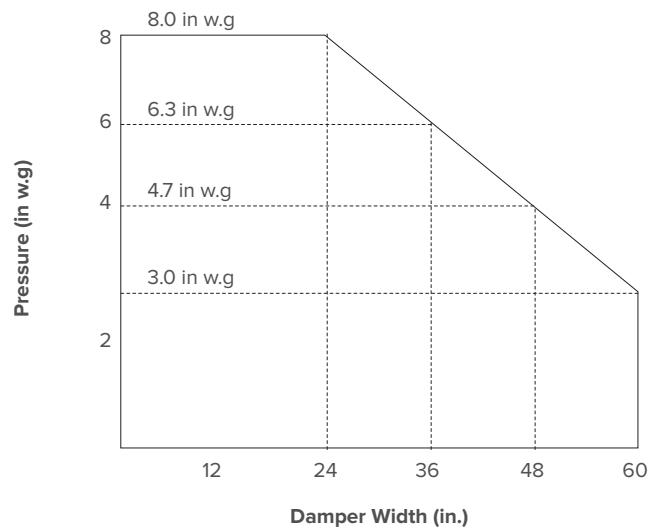
Model: 3167



PRESSURE DROP



PRESSURE LIMITATIONS



Clearance = 1/4" Overall for Single Panel Construction
 Clearance = 1/2" Overall for Multiple Panel Construction

RECOMMENDED SPECIFICATION

Furnish and install control damper models 3167 as manufactured by Alumavent, Bolton Ontario. Dampers shall be 4" (101 mm) deep. Blades shall be 0.063" (1.60 mm) thick, hollow airfoil shape. Frames shall be 0.081" (2.06 mm) thick. Axles shall be 0.375" (9.53 mm) thick, Aluminum square bar. Blade and Jamb seals shall be Santoprene. Linkage is concealed outside of frame for model 3167. Air leakage through a 48"x " damper shall not exceed 8 CFM/ ft2 (40.6 L/s/m2) against 4" w.g (1 kPa) static pressure at standard air. Operating temperature range shall be -40° to +180°F.

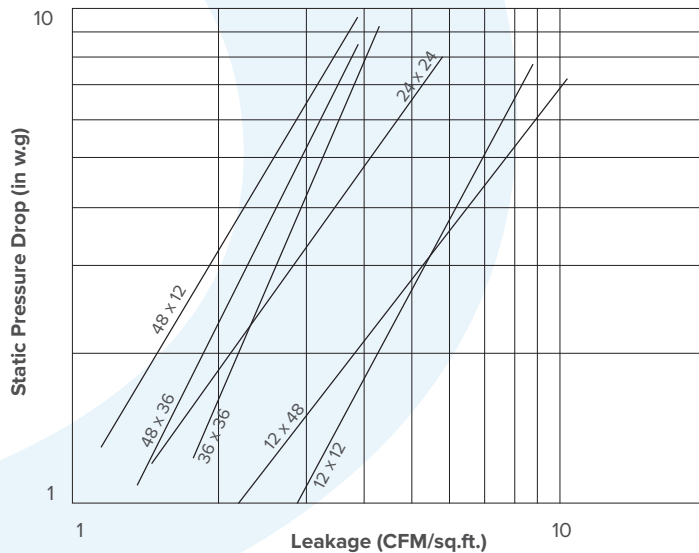
Oxygen8 Solutions Inc.

300-638 Smithe St., Vancouver, BC V6B 1E3

Airfoil Blade Control Dampers

Model: 3167

LEAKAGE



Leakage test was conducted in accordance with AMCA Standard 500-D-98. Holding torque applied was 6 in - lbs/sq.ft on parallel blade dampers. Air leakage is based on operation between 0°C - 49°C (32°F - 120°F).

DAMPER LEAKAGE RATING

Damper Size	Pressure in w.g (kPa)		
	1" (0.25 kPa)	4" (1.0 kPa)	8" (2.0 kPa)
12" x 12" (305 x 305 mm)	1A	1	1
24" x 24" (610 x 610 mm)	1A	1	1
36" x 36" (914 x 914 mm)	1A	1	1
12" x 48" (305 x 1219 mm)	1A	1	1
48" x 12" (1219 x 305 mm)	1A	1	1
48" x 36" (1219 x 914 mm)	1A	1	1

DEFINITION OF LEAKAGE CLASSIFICATION

Class	Leakage ft ² /min/ft ² (L/s/m ²)		
	1" (0.25 kPa)	4" (1.0 kPa)	8" (2.0 kPa)
1A	3 (15.2)	N/A	N/A
1	4 (20.3)	8 (40.6)	14 (71.1)
2	10 (50.8)	20 (102)	35 (178)
3	40 (203)	80 (406)	140 (711)