

## STANDARD FEATURES

### Airflow Range

1100-3500CFM

### Casing

Double walled, 1" insulation  
Foam injected panels  
22-gauge galvanized steel  
Painted white

### Controls

Configurable and BTL Certified for BACNet IP  
Single point power

## OPTIONS

### Integrated Heating and Cooling

Hydronic or Dx Coils (using EEV Kit)

### Bypass Damper

Modulating by-pass (free cooling)  
Unit or duct mounted

### Frost Control

Electric Preheat

### Warranty

10-year add-on available

### Filters

2" Pleated: OA MERV 13, MERV 8

### Blowers & Motors

HE Variable Speed EC direct-drive motor  
Backward Inclined

### Warranty

Core – 5 years from shipping  
Unit – 2 years from shipping

### Mounting

Ceiling, wall or floor mount

OA & EA Dampers

Final Filter

Alternate MERV Filters

Multiple connection options



Unit Electrical								
Size	Nom. V	Motor (kW)	SA Fan FLA	RA Fan FLA	Transformer FLA	MCA	MROPD	Recommended Fuse
C30	460	3.3	5.4	5.4	0.14	12.3	17.7	20A
C30	208	3	9	9	0.33	20.6	29.6	30A

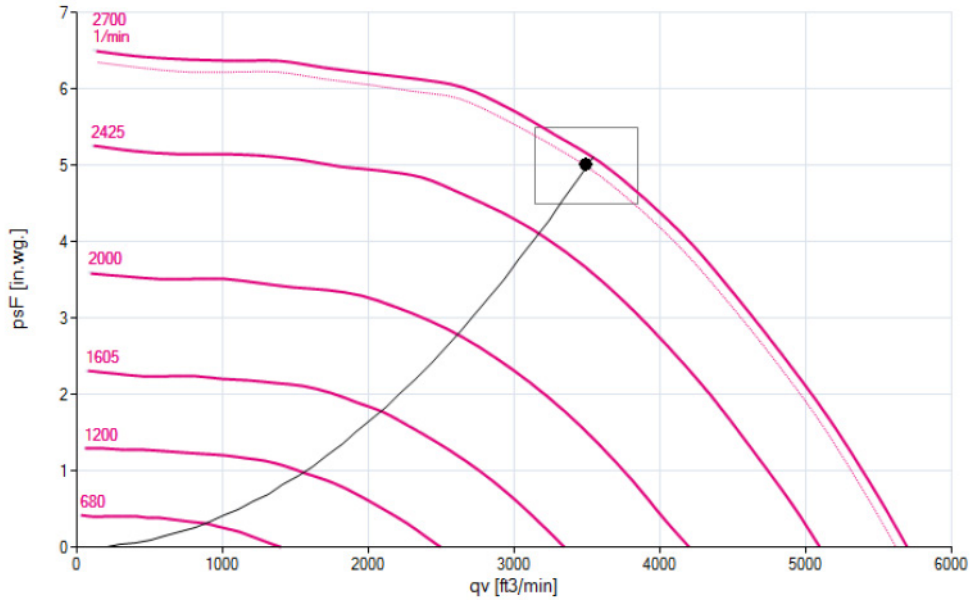
Fan Performance						
Model	CFM	ESP "Wg	230V/3/60 FLA (A)		KW	SP "Wg
C30	3500	3	7.6	9	3	4.6
Model	CFM	ESP "Wg	460V/3/60 FLA (A)		KW	SP "Wg
C30	3500	3	4.2	5.4	3.3	5.1

AHRI Core Performance					
Model	Airflow (cfm)	SRE	LRE	TRE	PD
C30	2000	68%	55%	60%	0.45, 0.79
	3500	60%	44%	50%	0.87, 1.66

## Fan Curve

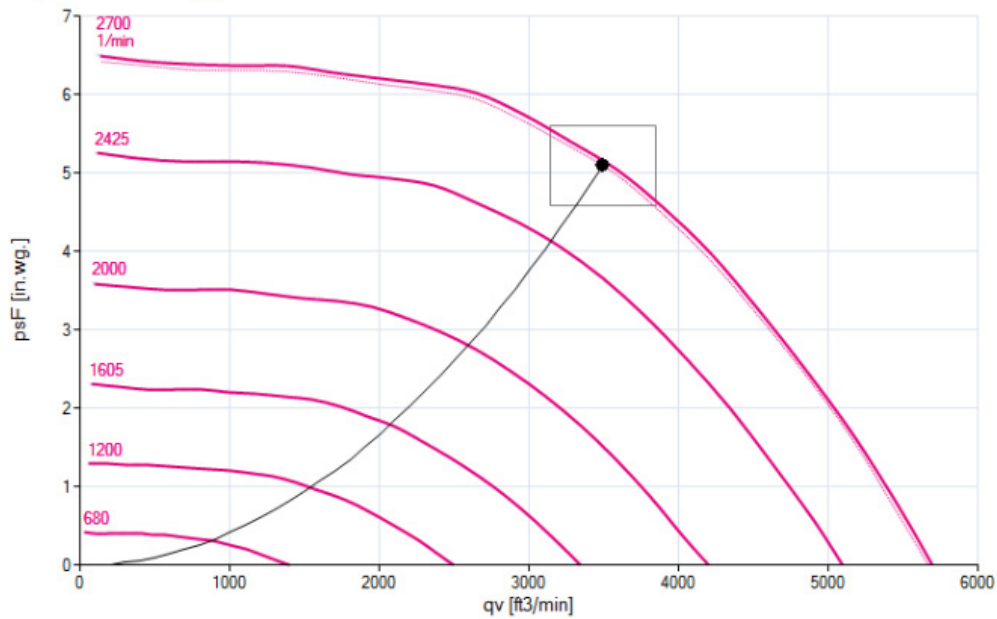
### 3500CFM - 230/3

air performance  $p_{sF}$



### 3500CFM - 460/3

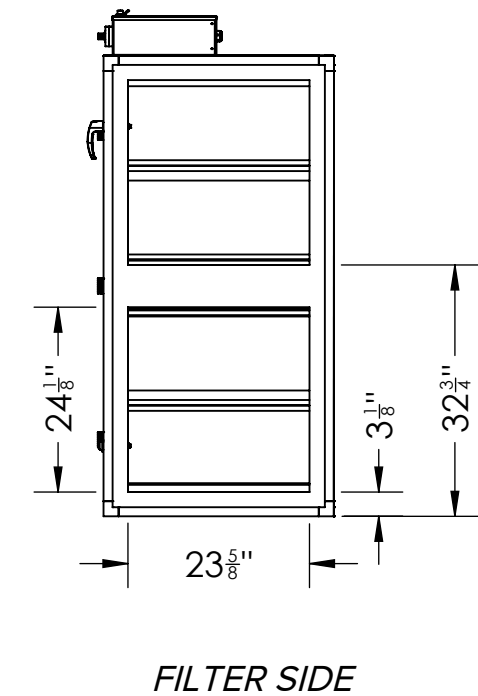
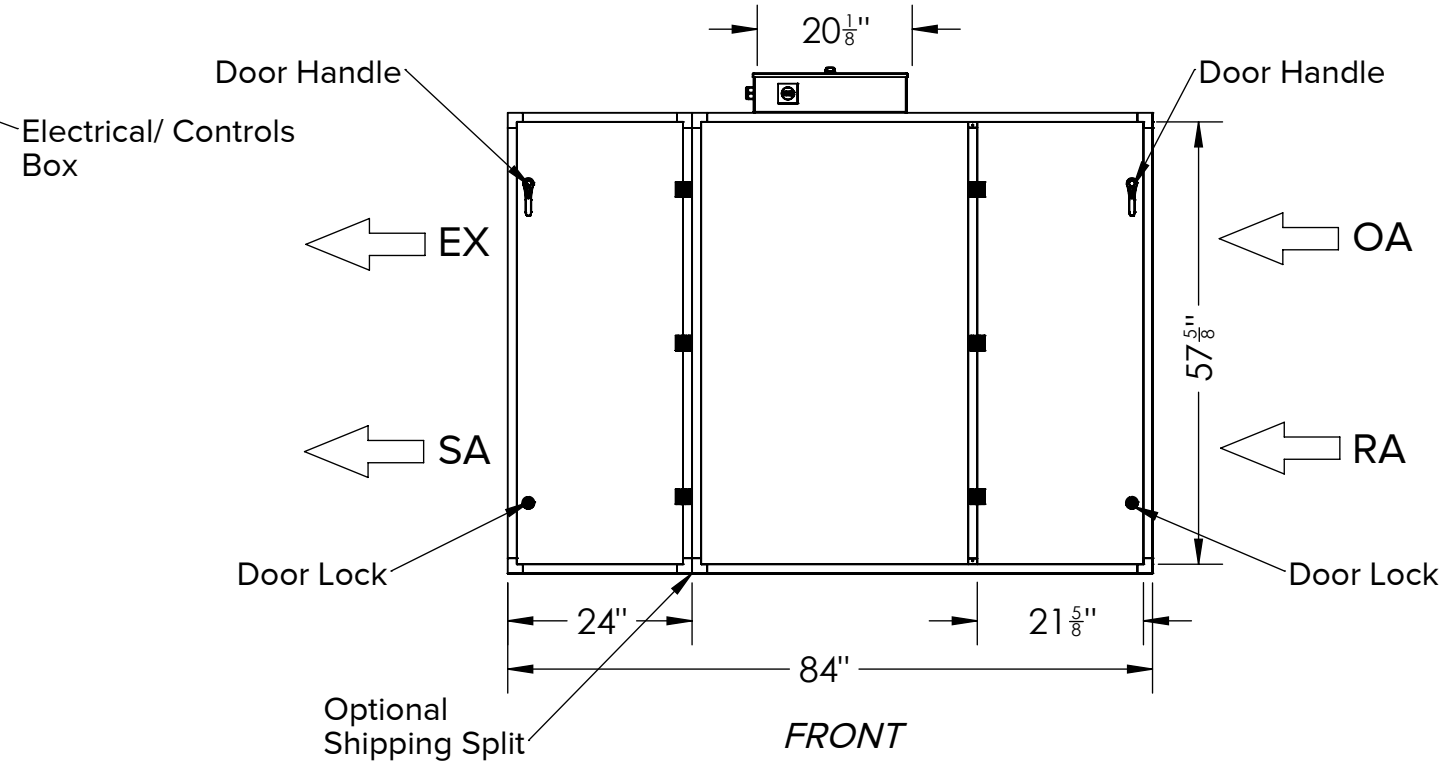
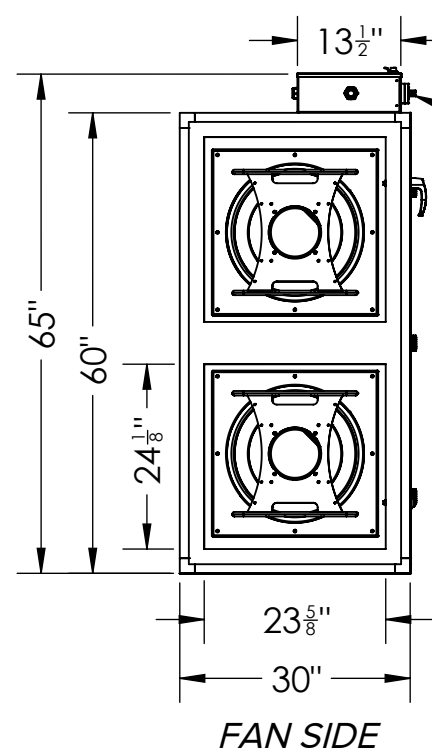
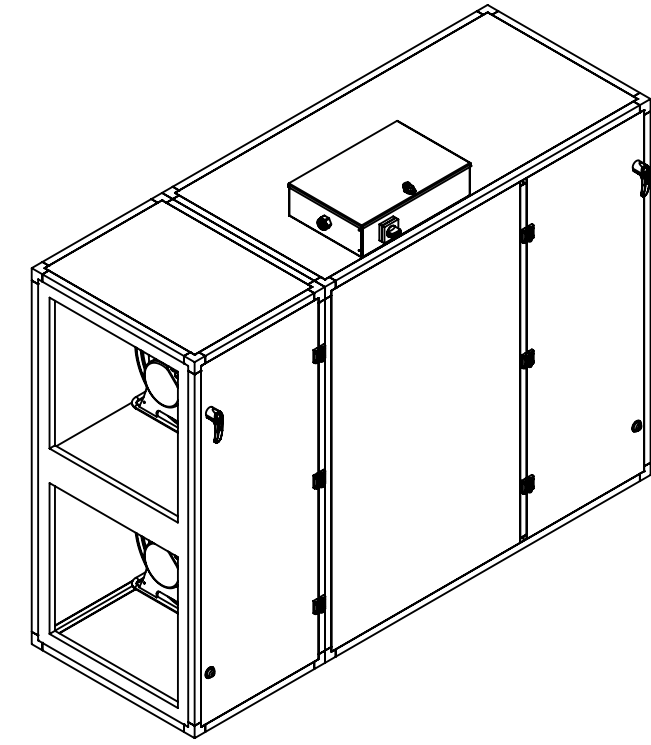
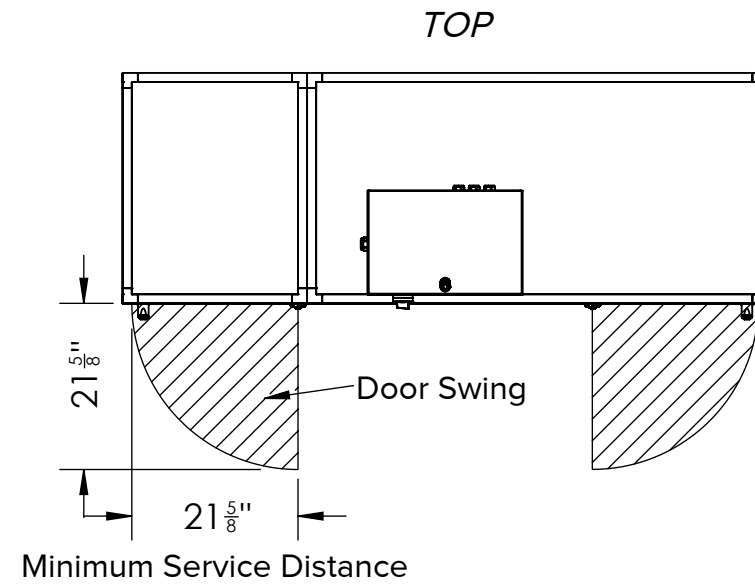
air performance  $p_{sF}$



Nomenclature:  
 SA - Supply Air  
 RA - Return Air  
 OA - Outdoor Air  
 EX - Exhaust Air

Installation Options: Ceiling, Floor or Wall.

Notes:  
 36" of clearance must be maintained perpendicular to the electrical box as per the National Electrical Code (NEC).  
 Overall unit dimensions are subject to change without notice.



<b>O X Y G E N 8</b>	Drawn by:	KFM	Name:
	Approved by:	MBD	C30
	Date:	2020-05-26	Drawing Number:
Scale:	Pieces: 2 of 2	Weight: 910 Lbs	O28D-01-0004-00A
1:25	Material: Pre-Paint Exterior Galvanized Interior		