

STANDARD FEATURES

Airflow Range

900-2700CFM

Casing

Double walled, 1" insulation
Foam injected panels
22-gauge galvanized steel
Painted white

Controls

Configurable and BTL Certified for BACNet IP
Single point power

OPTIONS

Integrated Heating and Cooling

Hydronic or Dx Coils (using EEV Kit)

Bypass Damper

Modulating by-pass (free cooling)
Unit or duct mounted

Frost Control

Electric Preheat

Warranty

10-year add-on available

Filters

2" Pleated: OA MERV 13, MERV 8

Blowers & Motors

HE Variable Speed EC direct-drive motor
Backward Inclined

Warranty

Core – 5 years from shipping
Unit – 2 years from shipping

Mounting

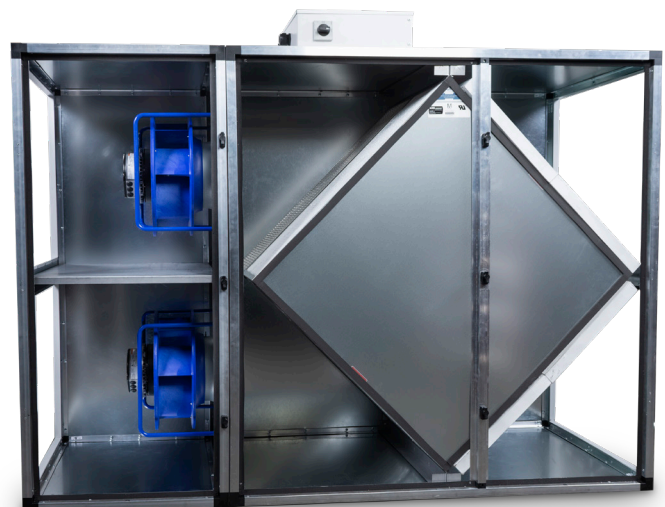
Ceiling, wall or floor mount

OA & EA Dampers

Final Filter

Alternate MERV Filters

Multiple connection options



| Unit Electrical | | | | | | | | |
|-----------------|--------|------------|------------|------------|-----------------|------|-------|------------------|
| Size | Nom. V | Motor (kW) | SA Fan FLA | RA Fan FLA | Transformer FLA | MCA | MROPD | Recommended Fuse |
| C24 | 460 | 3.7 | 5.8 | 5.8 | 0.14 | 13.2 | 19.0 | 20A |
| C24 | 208 | 2.7 | 8.6 | 8.6 | 0.33 | 19.7 | 29.3 | 30.A |

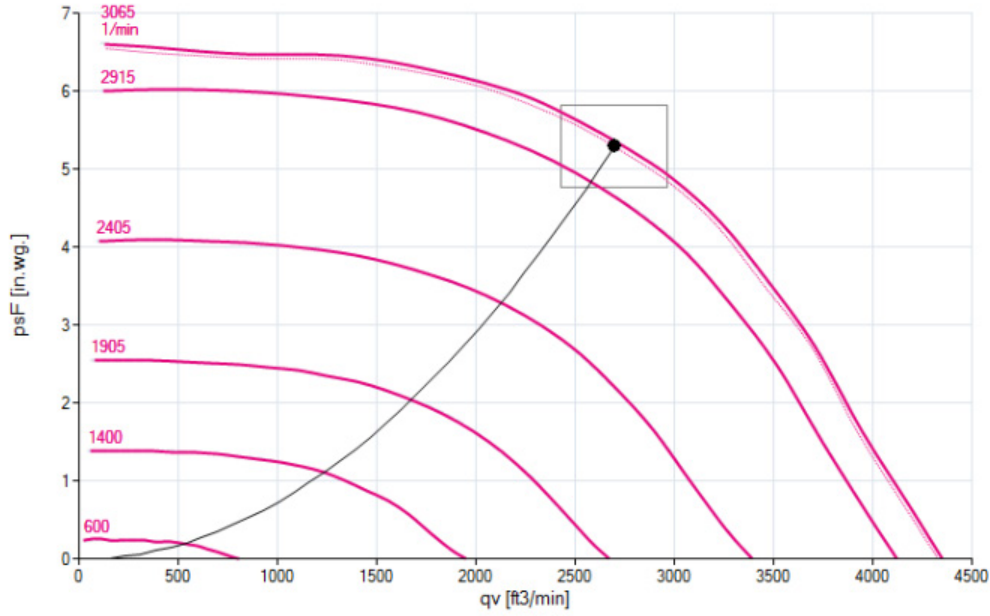
| Fan Performance | | | | | | |
|-----------------|------|---------|-------------------|-----|-----|--------|
| Model | CFM | ESP "Wg | 230V/3/60 FLA (A) | | KW | SP "Wg |
| C24 | 2700 | 3 | 7.2 | 8.6 | 2.7 | 5.4 |
| Model | CFM | ESP "Wg | 460V/3/60 FLA (A) | | KW | SP "Wg |
| C24 | 2700 | 3 | 4.6 | 5.8 | 3.7 | 7 |

| AHRI Core Performance | | | | | |
|-----------------------|---------------|-----|-----|-----|------------|
| Model | Airflow (cfm) | SRE | LRE | TRE | PD |
| C24 | 1550 | 68% | 55% | 60% | 0.45, 0.79 |
| | 2700 | 60% | 44% | 50% | 0.86, 1.64 |

Fan Curve

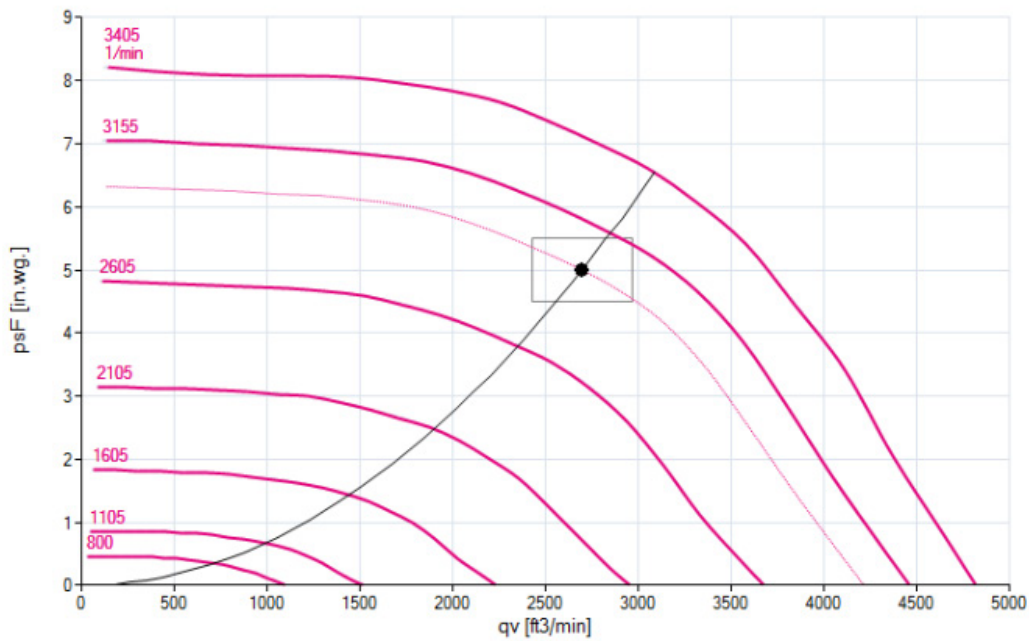
2700CFM - 230/3

air performance p_{sF}



2700CFM - 460/3

air performance p_{sF}

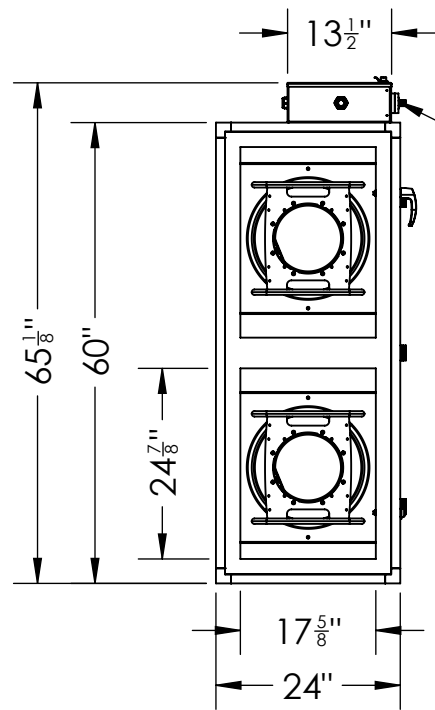
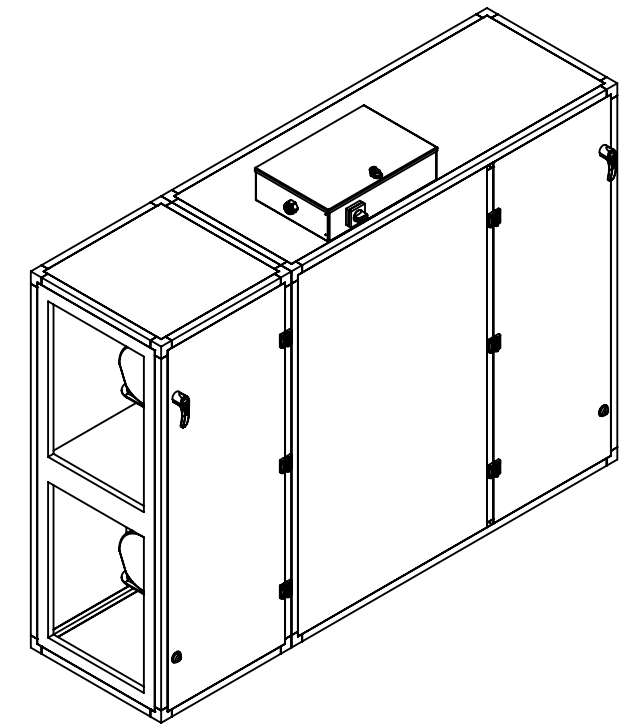
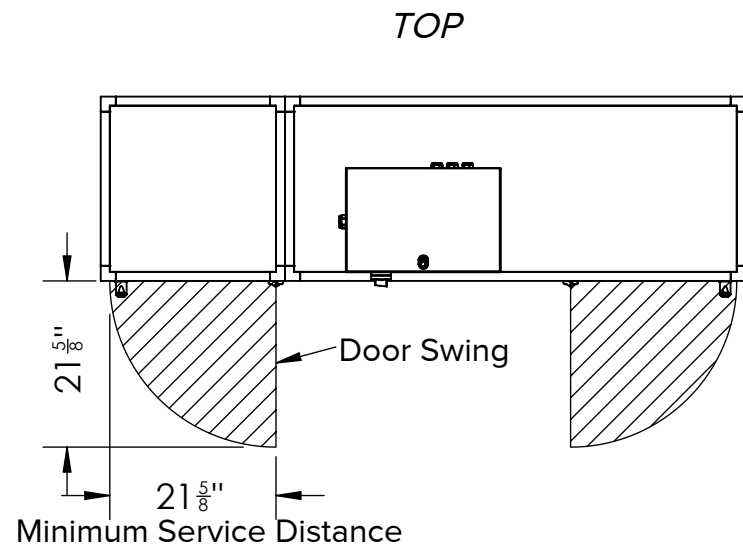


Nomenclature:
 SA - Supply Air
 RA - Return Air
 OA - Outdoor Air
 EX - Exhaust Air

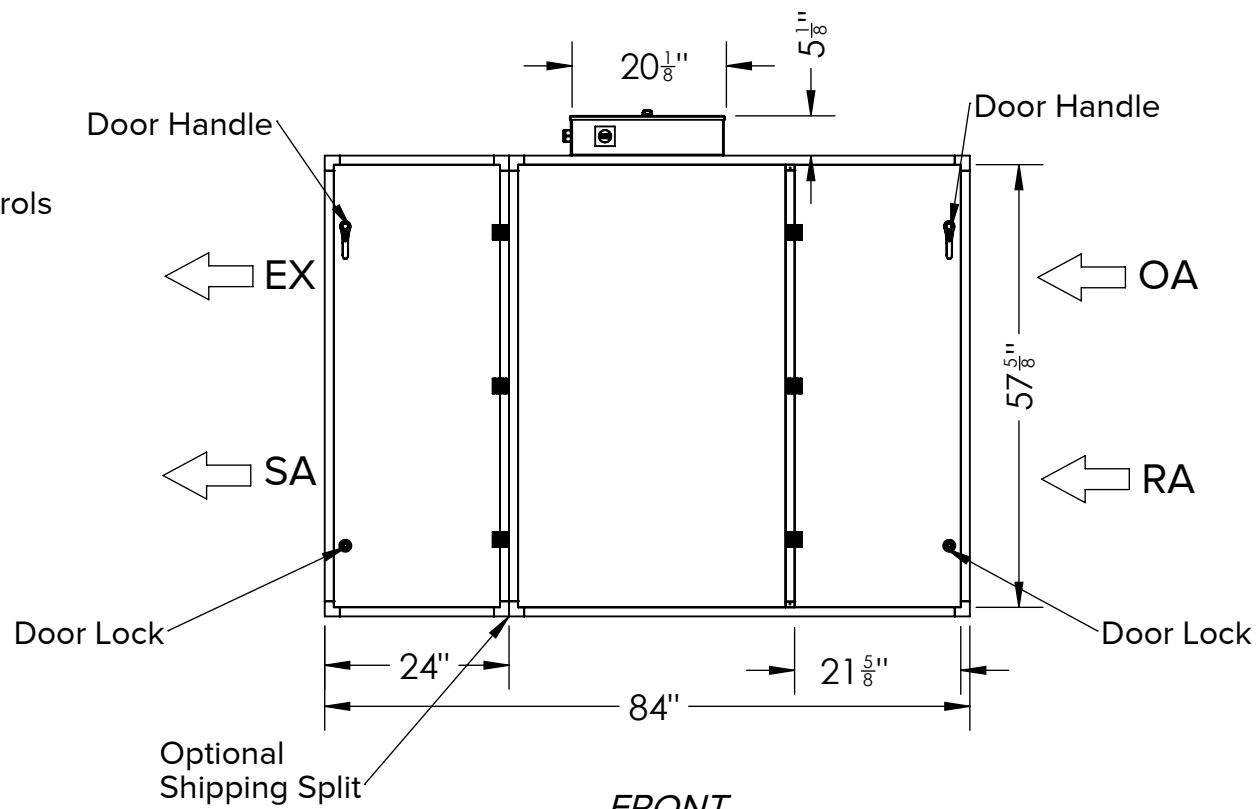
Installation Options: Ceiling, Floor or Wall.

Notes:

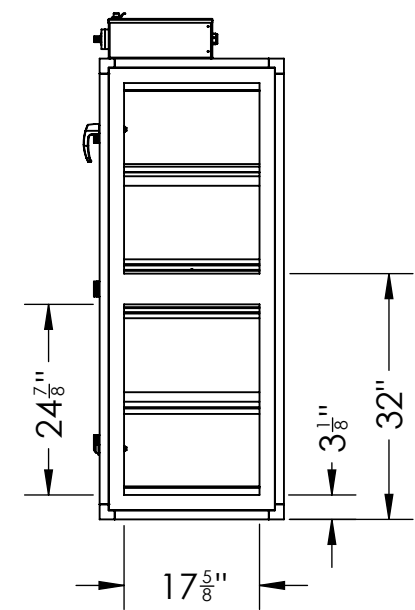
36" of clearance must be maintained perpendicular to the electrical box as per the National Electric Code (NEC).
 Overall unit dimensions are subject to change without notice.



FAN SIDE



FRONT



FILTER SIDE

| | | | | |
|----------------------|---|-----------------|-----------------|-------------------------|
| O X Y G E N 8 | Drawn by: | KFM | Name: | C24 |
| | Approved by: | MBD | | |
| | Date: | 2020-05-29 | | |
| Scale: | Pieces: 1 of 2 | Weight: 810 lbs | Drawing Number: | O28D-01-0003-00A |
| 1:25 | Material: Pre-Paint Exterior Galvanized Interior | | | |