

## STANDARD FEATURES

### Airflow Range

525-1300CFM

### Casing

Double walled, 1" insulation  
Foam injected panels  
22-gauge galvanized steel  
Painted white

### Controls

Configurable and BTL Certified for BACNet IP  
Single point power

## OPTIONS

### Integrated Heating and Cooling

Hydronic or Dx Coils (using EEV Kit)

### Bypass Damper

Modulating by-pass (free cooling)  
Unit or duct mounted

### Frost Control

Electric Preheat

### Warranty

10-year add-on available

### Filters

2" Pleated: OA MERV 13, MERV 8

### Blowers & Motors

HE Variable Speed EC direct-drive motor  
Backward Inclined

### Warranty

Core – 5 years from shipping  
Unit – 2 years from shipping

### Mounting

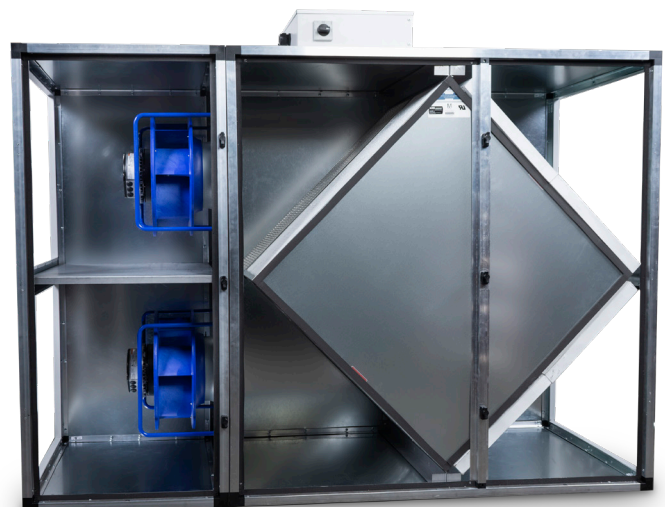
Ceiling, wall or floor mount

OA & EA Dampers

Final Filter

Alternate MERV Filters

Multiple connection options



Unit Electrical								
Size	Nom. V	Motor (kW)	SA Fan FLA	RA Fan FLA	Transformer FLA	MCA	MROPD	Recommended Fuse
B20	240	0.78	3.9	3.9	0.30	9.1	13.0	15A

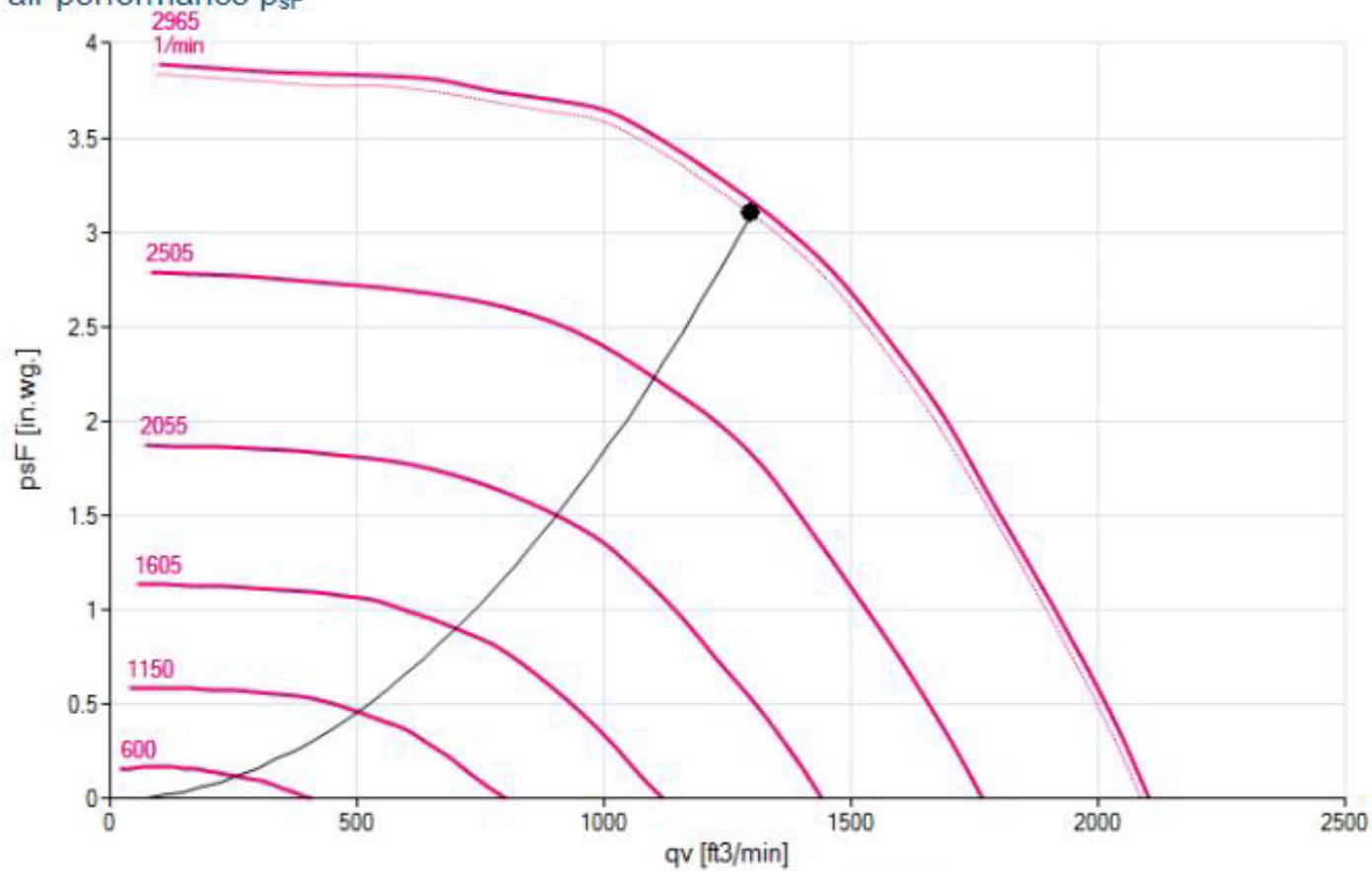
Fan Performance						
Model	CFM	ESP "Wg	230V/1/60 FLA (A)		KW	SP "Wg
B20	1300	0.9	2.8	3.9	0.78	3.1

AHRI Core Performance					
Model	Airflow (cfm)	SRE	LRE	TRE	PD
B20	700	68%	55%	60%	0.33, 0.55
	1300	60%	44%	50%	0.6, 1.05

## Fan Curve

1300CFM - 230/1

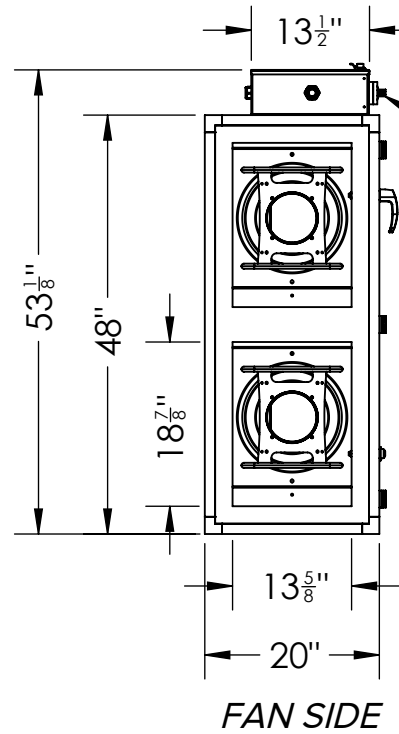
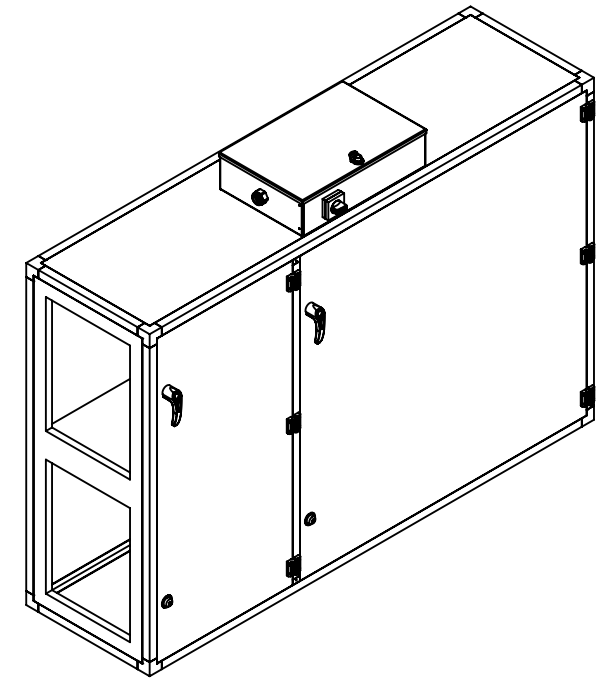
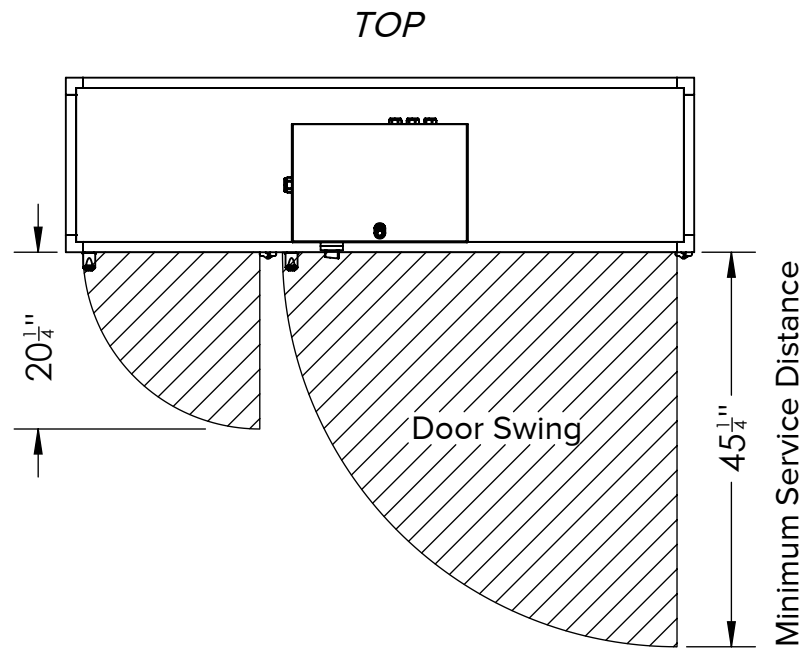
air performance  $p_{sF}$



Nomenclature:  
 SA - Supply Air  
 RA - Return Air  
 OA - Outdoor Air  
 EX - Exhaust Air

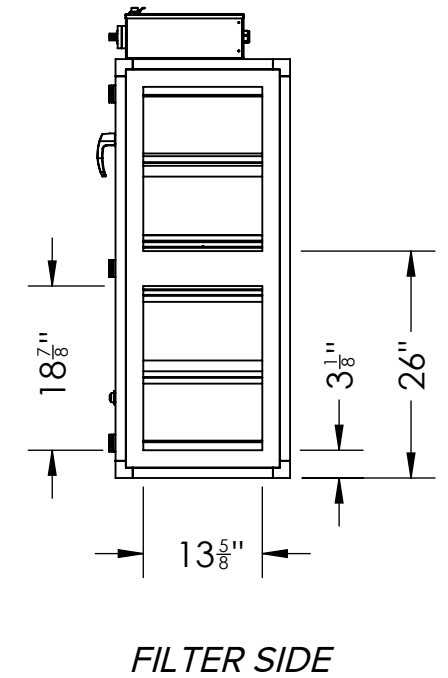
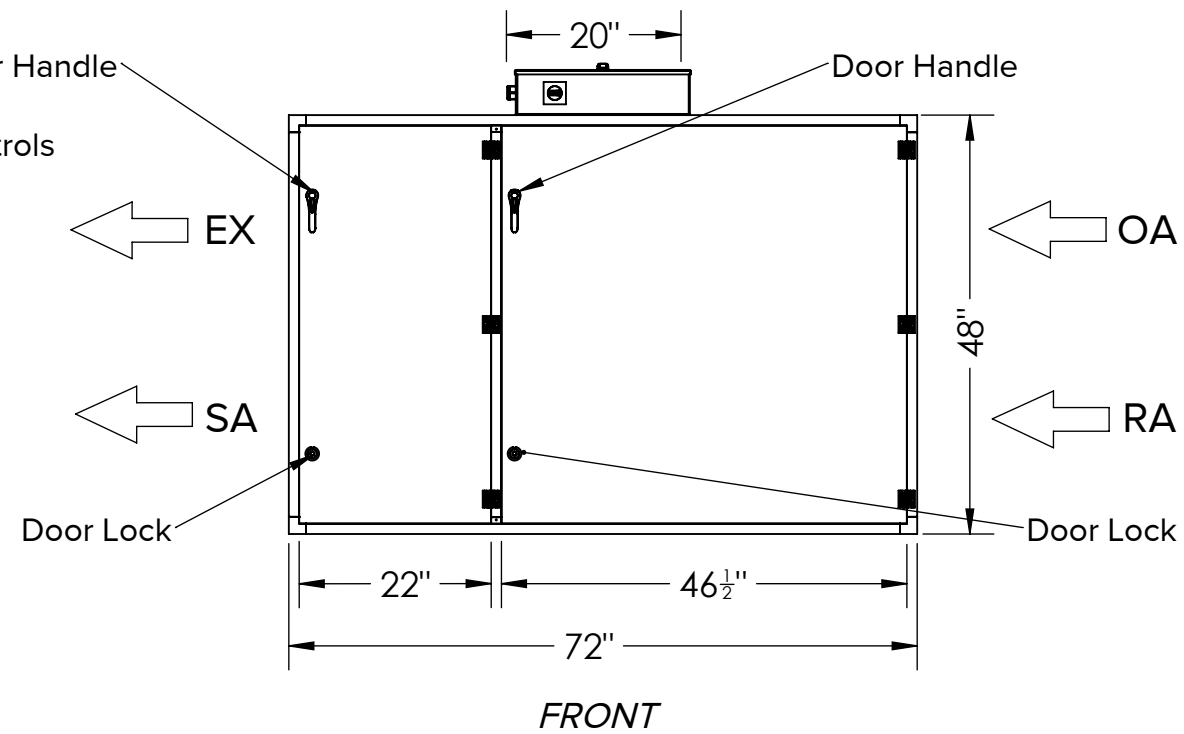
Installation Options: Ceiling, Floor or Wall

Notes:  
 36" of clearance must be maintained perpendicular to the electrical box as per the National Electric Code (NEC).  
 Overall unit dimensions are subject to change without notice.



Door Handle

Electrical/ Controls Box



<b>O X Y G E N 8</b>	Drawn by:	KFM	Name:	
	Approved by:	MBD		B20
	Date:	2020-05-26		
Scale:	Pieces:	1 of 1	Weight:	520 lbs
1:22	Material:	Pre-Paint Exterior Galvanized Interior		Drawing Number: O28D-01-0002-00A